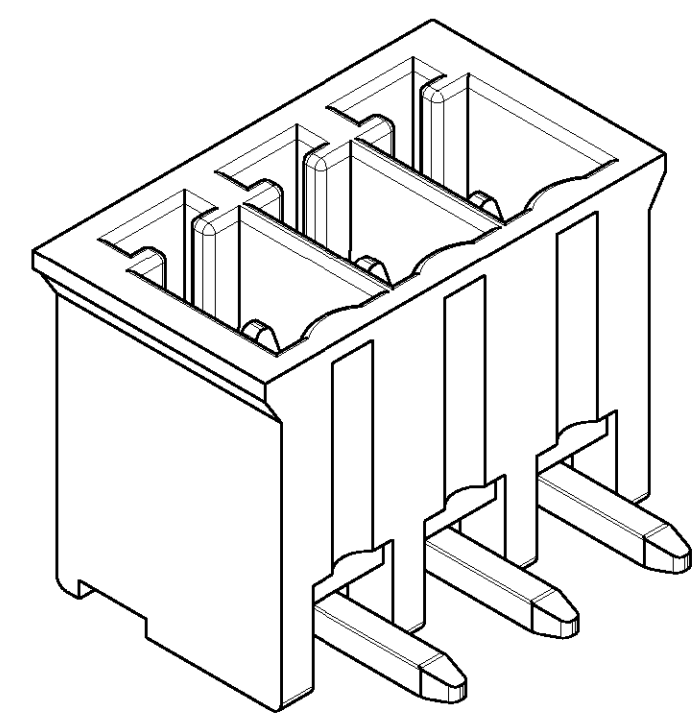
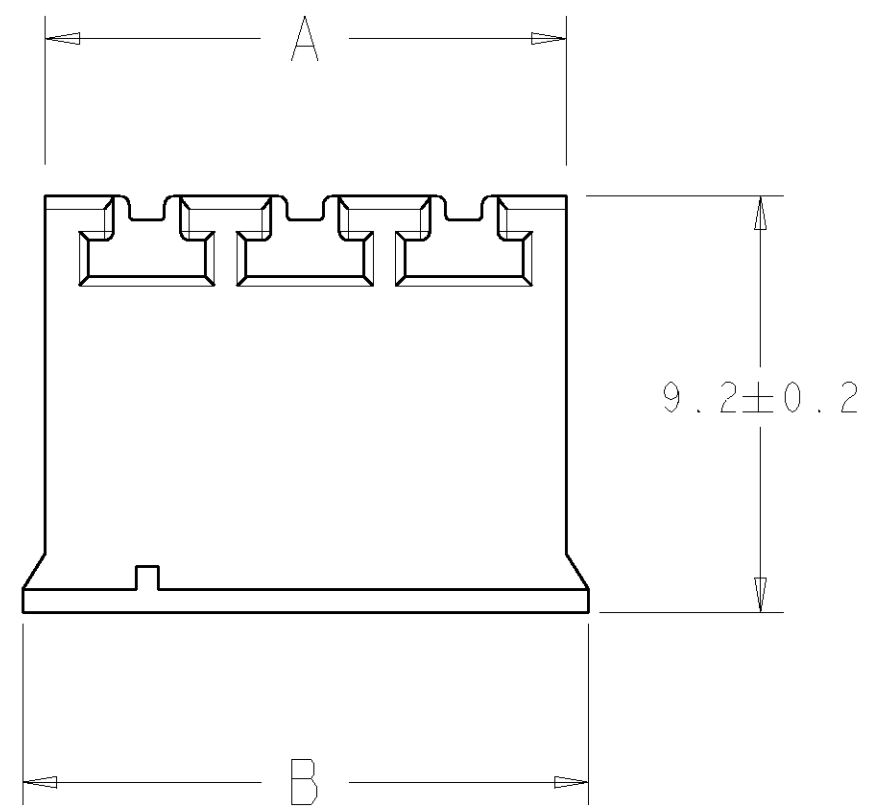
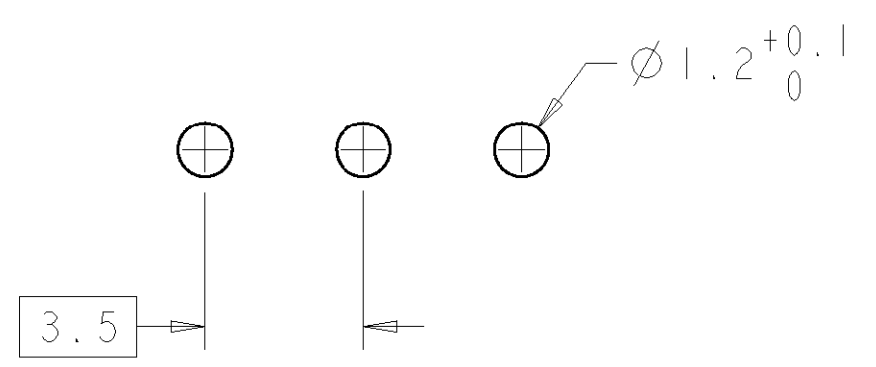
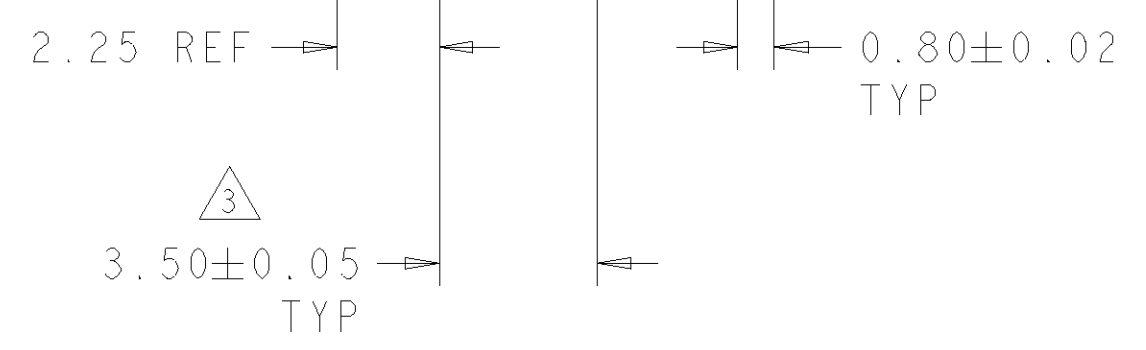
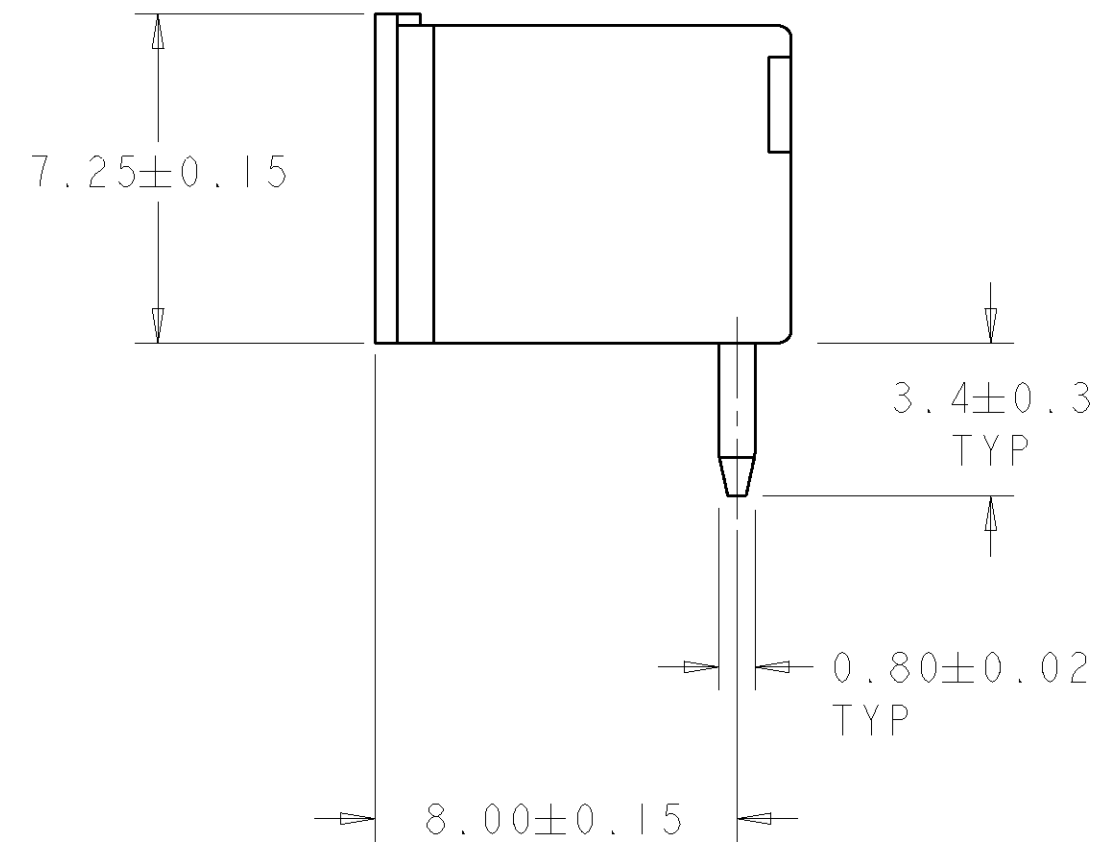
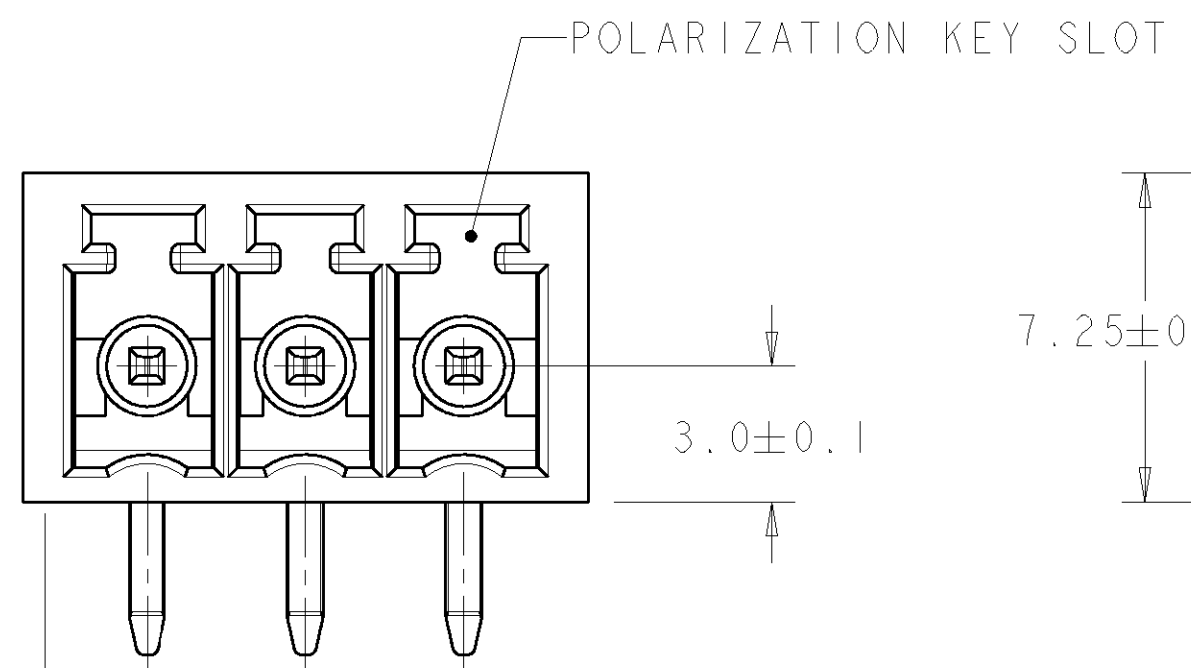


LOC	DIST	REVISIONS					
FT	0	P	LTR	DESCRIPTION	DATE	DWN	APVD
		A		RELEASED	27NOV2000	-	-
		B		REVISED EC 0G3B-0401-04	02JUN2004	SW	CR



796695-3 AS SHOWN

- 1. MATERIALS AND FINISH:
 HOUSING : PA 6.6, UL 94-V0, COLOR: BLUE (RAL 5012)
 TERMINAL : BRASS, TIN PLATED
- 2. RECOMMENDED PC BOARD THICKNESS 1.6-2.4 MM.
- 3. NOT CUMULATIVE TOLERANCE.



RECOMMENDED PC BOARD LAYOUT

89.5	88.5	25	2-796695-5
86.0	85.0	24	2-796695-4
82.5	81.5	23	2-796695-3
79.0	78.0	22	2-796695-2
75.5	74.5	21	2-796695-1
72.0	71.0	20	2-796695-0
68.5	67.5	19	1-796695-9
65.0	64.0	18	1-796695-8
61.5	60.5	17	1-796695-7
58.0	57.0	16	1-796695-6
54.5	53.5	15	1-796695-5
51.0	50.0	14	1-796695-4
47.5	46.5	13	1-796695-3
44.0	43.0	12	1-796695-2
40.5	39.5	11	1-796695-1
37.0	36.0	10	1-796695-0
33.5	32.5	9	796695-9
30.0	29.0	8	796695-8
26.5	25.5	7	796695-7
23.0	22.0	6	796695-6
19.5	18.5	5	796695-5
16.0	15.0	4	796695-4
12.5	11.5	3	796695-3
9.0	8.0	2	796695-2
B	A	NO. OF POSN	PART NUMBER

THIS DRAWING IS A CONTROLLED DOCUMENT FOR TYCO ELECTRONICS CORPORATION. IT IS SUBJECT TO CHANGE AND THE CONTROLLING ENGINEERING ORGANIZATION SHOULD BE CONTACTED FOR THE LATEST REVISION.		DWN S. WELDON 27NOV2000	Tyco Electronics Harrisburg, PA 17105-3608	
DIMENSIONS: mm		CHK D. BIEVENOUR 27NOV2000	NAME TERMI BLOK, HEADER ASSEMBLY, 90 DEGREE, CLOSED ENDS, 3.5 mm PITCH	
TOLERANCES UNLESS OTHERWISE SPECIFIED: 0 PLC ± 1 PLC ±0.3 2 PLC ±0.25 3 PLC ±0.000 4 PLC ±0.000 ±		APVD D. BIEVENOUR 27NOV2000	SIZE A2	
MATERIAL 1		PRODUCT SPEC -	CAGE CODE 00779	DRAWING NO 796695
FINISH 1		APPLICATION SPEC -	RESTRICTED TO -	SCALE 6:1
		WEIGHT -	SHEET 1	REV B
		CUSTOMER DRAWING		